

## Messing magneetventiel 2/2 indirect gestuurd

Productnummer 8150

Geschikt voor de maten van 3/8" tot en met 1/2"

### Presentation

S.V. with pilot control for interception of fluids compatible with the construction materials.  
A minimum operational pressure of 0,2 bar is required.  
The materials used and the tests carried out ensure maximum reliability and duration.

Use: Automation  
Heating

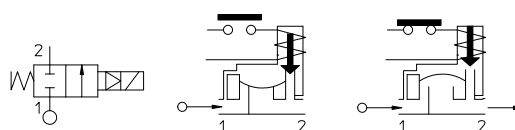
Pipes: G 3/8 G 1/2

Coils: 8W - Ø 13  
BDA - BSA 155°C (class F)  
BDV 180°C (class H)



**COIL HOUSING AND COIL FORMER MATERIAL ARE MADE BY 100% VIRGIN MATERIAL.**

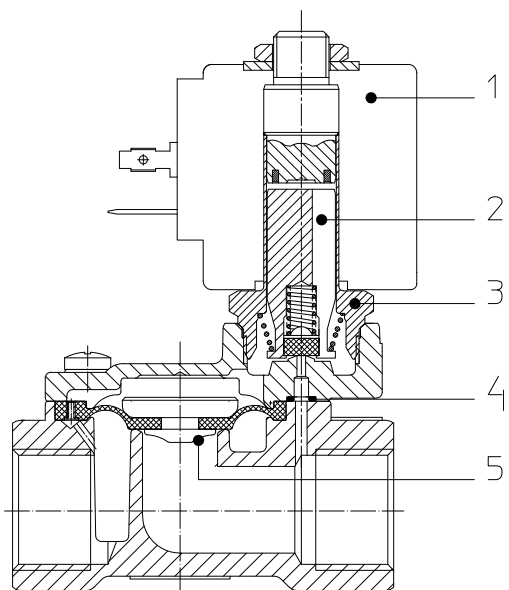
Gaskets	Temperature		Medium
<b>B</b> =NBR (nitrile rubber)	- 10°C	+ 90°C	Air, inert gas, water
<b>E</b> =EPDM (ethylene-propylene)	- 10°C	+140°C	Water, low pressure steam
<b>V</b> =FKM (fluoroelastomer)	- 10°C	+140°C	Mineral oils (2°E), gasoline gas oil



For seals other than NBR replace the letter "B" with the ones corresponding to the other seals. E.I. 21WA3KOV130.

Pipe ISO 228/1	Max viscosity		Ø mm	Kv l/mn	Power watt	Pressure		
	cSt	°E				min	M.O.P.D.	
						bar	AC bar	DC bar
G 3/8	12	~ 2	13	60	8	0,2	16	16
G 1/2				70				

# Messing magneetventiel 2/2 indirect gestuurd



**Materials:**

Body Armature tube Fixed core Plunger

Phase displacement ring Spring Seal

Orifice

On request: Connector Connector conformity

**Features:**

Electrical conformity Protection degree

Brass - UNI EN 12165 CW617N  
 Stainless steel AISI series 300  
 Stainless steel AISI series 400  
 Stainless steel AISI series 400  
 Copper - Cu 99,9%  
 Stainless steel AISI series 300  
 Standard: B=NBR  
 On request: V=FKM  
 Brass - UNI EN 12165 CW617N

Pg 9 or Pg 11  
 ISO 4400

IEC 335  
 IP 65 EN 60529 (DIN 40050)  
 with coil fitted by connector.

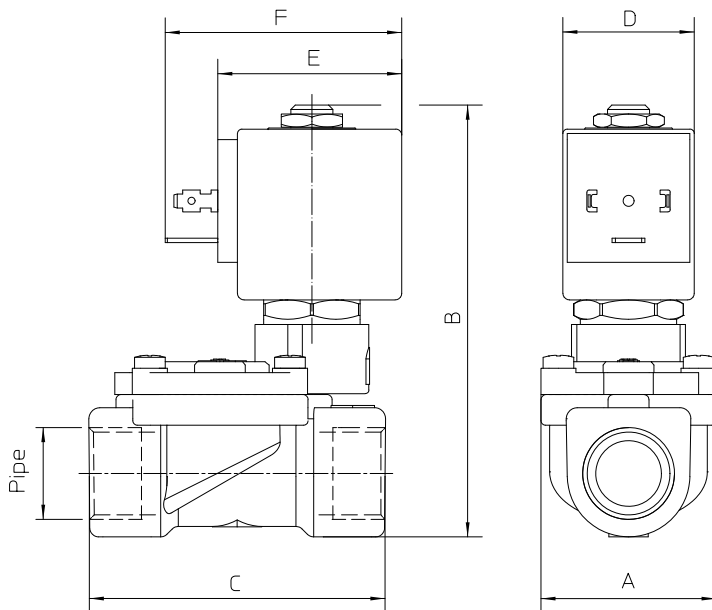
**Spare parts:**

- 1. Coil:**  
See coils list
- 2. Complete plunger:**  
Code R450886/B
- 3. Complete armature tube:**  
Code R450606
- 4. Gasket O-Ring:**  
Code R990300/B
- 5. Complete diaphragm:**  
Code R452186/B

**Kit:**  
 KT130KB30-A=2+3

**Maintenance kit:**  
 KTGWA3K0B13= 2+4+5

**Dimensions:**



Pipe ISO 228/1	A mm	B mm	C mm
G 3/8	40	97	60
G 1/2			66

COIL TYPE	POWER ABSORPTION			DIMENSIONS		
	W =	Hold VA ~	Inrush VA ~	D mm	E mm	F mm
B	8	14,5	25	30	42	54